

Fasteners

- Adjustable Fasteners available from stock in Low Density Polyethylene with colours to order. For use as a re-usable bag tie, plant tie, assembly work, wire tidy etc.
- Drive Fastener available from stock in High Density Polyethylene with UV inhibitor with colours to order. Used to secure marker plates for gas, water and other services. Designed to suit variable hole sizes of approximately 8mm diameter.
- Clip-Over Fastener available from stock in High Density Polyethylene with colours to order. For use as a re-usable plant tie, cable clip, sheet clip, assembly work, wire tidy etc.

Details

Adjustable Fastener

Catalogue Number	Type	L Length	Material
4189	Standard Duty	150	White LDPE
4649	Heavy Duty	195	"

Drive Fastener

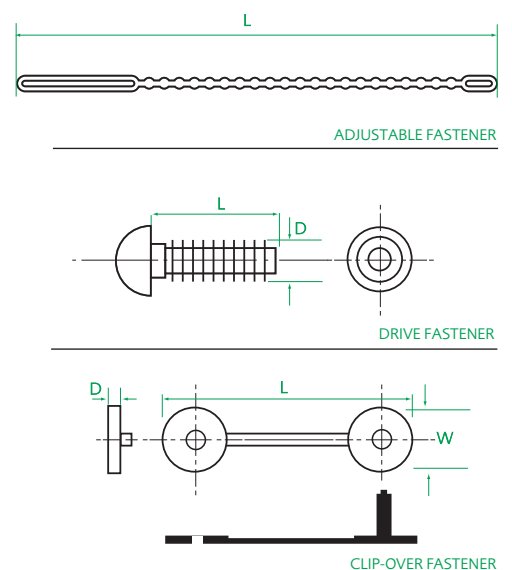
Catalogue Number	Type	L Length	D Diameter	Material
4549	Round Head Fastener	38	9.5	UV HDPE

Clip-Over Fastener

Catalogue Number	Type	L Length	W Width	D Depth	Material
4597	Clip-Over Fastener	53	12.5	2	Black HDPE

Dimensions in mm

Technical



Manufactured from recyclable plastics.

From Stock

F8