



Flip Cap



5815 5918 5820 5922 5824

Jar Cap



50070 50060 50048 50040 50033

Flip Caps and Jar Caps

- Flip cap with integral hinge.
- Available from stock in white polypropylene.
- For creams, gels, lotions, toiletries, pharmaceuticals, chemicals, veterinary preparations, hair care and other viscous products.
- Jar caps available from stock in white Urea and polypropylene.
- For use with Measom Freer jars, details on page 34.

Details

Flip Caps

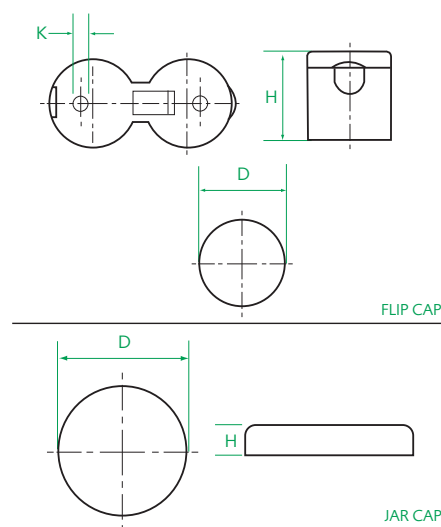
Catalogue Number	Type	Neck Size	D Diameter	H Height	K Orifice Diameter	Material
5815	Smooth	15mm R4	18	20	3.2	Polypropylene
5918	Ribbed	18mm R4	23	21	2.5	"
5820	Smooth	20mm R4	24	25	3.2	"
5922	Ribbed	22mm R4	27	27	2.5	"
5824	Smooth	24mm R4	28	33	3	"

Jar Caps

Catalogue Number	Neck Size	D Diameter	H Height	Material
50033	33mm	34	10	Polypropylene
50040	40mm R3	43	11.5	White Urea *
50048	48mm R3	50	11.5	Polypropylene
50060	60mm R3	62	11.5	White Urea *
50070	70mm R3	62	11.5	Polypropylene

Dimensions in mm

Technical



Manufactured from recyclable plastics.

From Stock

FCIC6v