



Fosse Range Bottles and Caps

- Natural Medium Density Polyethylene available from stock. PCR, HDPE, LDPE, PP, white, black and colours available to order.
- Can be used as a Tottle with plain white polypropylene flip caps on this page. Designed to be used upright and upside down, standing on the cap so thicker products are at the cap ready for use.
- Ideal for shower gels and products requiring a flip cap dispenser.
- The Fosse flip cap is available from stock in white polypropylene

Details

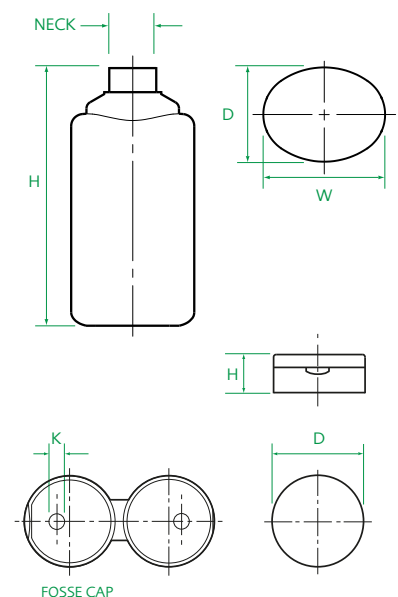
Fosse						
Catalogue Number	Capacity	W Width	D Depth	H Height	Neck Size	Material
6188	125ml	51	40	107	22-400	Natural MDPE
6189	250ml	64	50	134	"	"

Dimensions in mm

Fosse Cap					
Catalogue Number	Neck Size	D Diameter	H Height	K Orifice Diameter	Material
49140	22-400	40	25	4.8	Polypropylene
49150	"	50	25	6.4	"

Dimensions in mm

Technical



FOSSE CAP



FM 13440

Manufactured from recyclable plastics.

From Stock

FRB1

Measom Freer
packaging quality