



PETG Range



250ml 200ml 150ml 100ml 50ml 30ml

PETG Range Bottles

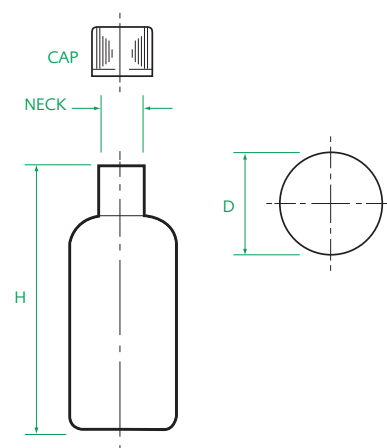
- Clear PETG available from stock. Amber, Black, Trans Blue, White, and colours available to order.
- Ribbed, smooth, tall, nozzle, spouted and ball caps available in white and black; colours to order.
- Cap and dispenser details on pages 26-30.

Details

| PETG Metric | | | | | |
|------------------|----------|------------|----------|-----------|------------|
| Catalogue Number | Capacity | D Diameter | H Height | Neck Size | Material |
| 6101PET | 30ml | 29 | 75 | 18mm R4 | Clear PETG |
| 6071PET | 50ml | 34 | 84 | " | " |
| 6073PET | 100ml | 44 | 102 | " | " |
| 6074PET | 150ml | 49 | 117 | 20mm R4 | " |
| 6075PET | 200ml | 55 | 130 | " | " |
| 6076PET | 250ml | 57 | 136 | 22mm R4 | " |

Dimensions in mm

Technical



Manufactured from recyclable plastics.

From Stock

PETRB7